



News and Views



2011

PASTORAL PERSPECTIVE



Pastor Carl Hoppman
pr.carl@att.net

Many would say the raising of Lazarus from the dead by Jesus is not the most important thing that happens in the eleventh chapter of John's Gospel. They would say the raising of Lazarus is secondary to the anticipated cross-bearing and resurrection of Jesus.

I wonder what Lazarus would say about this. He who lay stone cold dead in the tomb; he who was given extra years to enjoy life; what might he say about his raising from the dead being secondary to anything else?

Let's let Lazarus speak for himself. After all, how many people have opportunity to deliver their own eulogy? Let's hear what Lazarus might say if given the opportunity to speak.

"Something greater than my being raised from the dead? Something greater than my being reunited with my loving sisters? I don't take these blessings lightly. And yet I would agree there is something even greater than my coming forth from the tomb. I came forth to die again. Jesus' empty tomb means that the power of death has been conquered once and for all. I died a natural death. He entered willingly into the jaws of death to remove its powerful bite. Something better—you better believe it! But let me get at it my own way.

My eulogy is in three parts. First, I borrow a phrase that my sister spoke while I was in the grave and Jesus ordered it open. She said, 'Lord, by this time he of course stinketh, for he has been dead four days.' She was describing the condi-

tion of my body. When I say, 'I stinketh', I also describe the condition of my spirit without God's grace. My sinful spirit has a stench about it. I am a child of God, yet I so often live a life curved in on myself. I am nothing without Jesus. I confess with Paul, **'The good I would, I do not; the evil I would not, that I do. O wretched man that I am.'** Surely the stench of my carnal spirit, of my selfish heart, arises horribly to the nostrils of God. Thanks be to Jesus for His intercession and intervention for me upon the cross. Let the eulogies of others speak of magnificent motivations, their **'robes off their backs'** noble deeds; but for Lazarus simply say, **'he stinketh'**.

For the second part of my eulogy, I take from my Lord's words to my sister to reassure her and give her real hope. My Lord Jesus said, **'I am the resurrection and the life.'** Even in odorous death, I am hidden in Jesus and so I live. Jesus met the enemy. He suffered my death. He alone is the resurrection and the life. When one enters **'the valley of the shadow of death'**, as I did, one is given the fruits of the gift of faith. All else is swept away. Only the crucified and risen Jesus is left. **At my death, it was said, 'Jesus wept.'** Imagine the Almighty, wrapped in human flesh, knowing what it means to weep, to grieve the loss of a loved one. He is the One who cries with you, Who surrounds your grief with His understanding and love. **Yet His love won't quit there. He endures your death, your wages of sin, upon the cross. That is why He is the 'resurrection and the life'.**

And now, to the third part of my eulogy. I would call it, **'I believe'**. It comes from my sister's response to Jesus' question, **'Do you believe this?'** She never specifically answered His question about dying and living again or about eternal life.

She simply confessed, 'Yes, Lord, I believe you are the Christ, the Son of God'. My sister, bless her trust, cut across all the mysteries of life and death and confessed what she absolutely knew, 'I believe in You, Jesus, the Christ, the Son of God.' That's Who I believe in. I believe in this One— Who was conceived by the power of the Holy Spirit, born of the virgin Mary, suffered under Pontius Pilate, was crucified, died, was buried, and on the third day rose again. This One grants me eternal life.

So say not about Lazarus that 'he was a good man'. Say only that without God's grace 'he stin-keth'. Say not that 'if there is a heaven, he deserves to be there.' Say only that Jesus is his 'resurrection and life'. Say not about Lazarus that he knew all about God's ways. Say only that he believed with all his heart that Jesus, the Christ, the Son of God, died and rose for him."

Spreading, Serving and Sharing with You,

Pastor Carl



The youth group made over \$300.00 in tips at the Crab Feed – Way to Go!! A Big Thank You!! To all who helped serve at this wonderful event.

Lazer Tag was our March activity and was enjoyed by everyone. Pastor Carl is looking for a re-match and this would be a good chance for all of us to refine our skills too. We will be planning another Lazer Tag Sunday in the near future.

Our activities date has changed to the 1st Sunday of each month following Confirmation class starting in April.

April 3rd the youth will be going to "Strikes" bowling in Elk Grove. We will be meeting at 12:45pm right after Confirmation class and stopping at a fast food place along the way to eat lunch. If you are in grades 6th – High School we would love for you to join us.

Easter is right around the corner and we are looking for bags of "wrapped candy" to put into the plastic eggs. There will be a basket out after

church to put your candy donations into. This basket will be available starting April 3rd.

We will be stuffing plastic eggs on Saturday, April 23rd at 10:00am for the Easter egg hunt on Sunday, April 24th. If any youth are interested in helping with the stuffing of the eggs on Saturday, please contact me by email or phone at Jennifer@connellconstruction.net or 862-0553. We will also be looking for help on Easter Sunday to hide the eggs if you would like to help we will be meeting at 9:00am to start hiding the eggs for the 10:00am egg hunt.

Respectfully submitted,

Jennifer Connell

Board Chair – St. Luke's Youth Group (SLY)

As we sit in service and are awestruck each week by the beautiful music provided by our outstanding choir it is only someone as loving and caring as Genie Sommer



who would think to say that something should be written in the News & Views to let them know how much they are appreciated. The endless devotion and time spent by the choir members and our extraordinarily talented choir director, Brooke Smith, is truly evident each Sunday morning. We are also blessed with a wonderful Bell Choir, led by Karen Behr, as well as our new organist, Jane Fanucci. It is known that many, much larger churches do not have nearly what we have here at St. Luke's and we thank each and every one of you who participates in any way.



June, 3, 4 & 5 – St. Luke's Camp Out –Marble Quarry RV Park
11551 Yankee Hill Road,
Columbia, CA 95310

phone (209) 532-9539. There are still sites available and we would love to have you join us – just tell them you are with St. Luke's Lutheran Church and they will put you as close to the group as possible. Remember to sign up in the Narthex so we know who to contact, closer to the time, to plan our time together.



Have you noticed the area where all the trash and debris, use to be, behind the Multi-Purpose room and adjacent areas? It is gone thanks to Board Member, Phillip Connell, for bringing his trailer and hauling it all away in time for the Crab Feed – it is greatly appreciated and a vast improvement for our church property.

At the last Council meeting approval was given to change the small bathroom, adjacent to Room 5 of the Educational Wing, into a storage closet for use by WELCA and the Evangelism Board.

Highlights from Board Meeting Held on Saturday, March 8

Multi-Purpose Room/Educational Wing (Sheetrock/Stucco): The required sheetrock and stucco work, which resulted from the removal of the wall AC units and wall furnaces, has been completed and it is now ready for painting. Board member, Scott Falwell has volunteered to spray paint the room on Saturday, March 19 with the help of additional Board Members and volunteers to mask (tape) the windows and fixtures.

The Board was pleased with the workmanship performed by the skilled worker, a friend of Board Member, Bruce Kiser. Since the Board members are busy with other required work, and other volunteers are difficult to recruit, the skilled worker has been used to prime and paint the exterior wall patches. Interior painting of wall patches and other areas will be performed by Board Members and volunteers.

Windows/Tall, Trim Boards: The highest Blumhardt Gift priority is to repair selected windows and the tall trim boards on the south end of the sanctuary building. The Board has completed its preliminary investigations and obtained selected quotes (prices) for some work with the intent of starting this project as soon as possible.

Building Plans Digital Files: The Board has obtained PDF files of the building plans for the original facilities and the 1987 addition. The files **have been uploaded to Pastor Carl's computer and the secretary's computer. In addition, the Property Board has copies.**

Courtyard: The flagstone courtyard has deteriorated to a level that it is becoming a liability concern, despite several past efforts to repair however; we thank Board Member, Jack Fenske for the repairs performed in order to make it safe during the Crab Feed fund raiser.

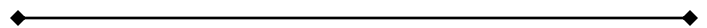
AC Security Fences: Previously, the Council designated the Crab Feed moneys for security fences around the AC units – the Board is starting plans to complete this project. Once again, we thank Deanna and Larry Dockter for chairing this highly successful fund raiser and each and everyone who helped in any way to provide for the improvements of our church property.

Additional Yard Lights: The Board has received requests for additional yard lights and concurs that additional yard lights are needed. Preliminary cost information has been obtained from SMUD and will be discussed at the next Council meeting.

ADA Restroom: The ADA restroom is a high-priority Blumhardt Gift item; thus, the Board has held preliminary discussions with a contractor and architect as the first step in preparation for starting this project after completion of the windows.

Jerry Carney

Board Chair



Congratulations to Mayah Lizzette Torres who was baptized on February 27, 2011. Mayah was born September 5th, 2010 to Maria Hernandez and David Torres. Proud sponsors are Stephanie Hernandez and Miguel Hernandez.





What a wonderful service, provided by Pastor Carl, on Ash Wednesday, March 9 following the hosting by WELCA for our soup supper. Delicious soups and desserts provided by various members and a great time of fellowship to start our Lenten journey. Thank you to everyone who helped in any way for this wonderful time of sharing.

Yes, it was Stone Soup Time at our meeting on Saturday, March 12 – the delightful story, once again told by Karen Behr, reminding us of the abundance we have if we share with each other! It was amazing how our members all brought such a great variety of ingredients to add to the pot making it a very tasty soup and of course the stones always add the finishing touch! If you were not with us this year we certainly hope you will be in March of 2012! The generosity of our members was once again shown as our donation table was covered with items to be donated to the Union Gospel Mission. We also voted to donate the \$105.00 collected at the Soup Supper to this worthwhile organization.

As we look forward to the new appliances being provided by the Blumhardt Memorial project for our kitchen it was decided to, once again, look into purchasing new dishes and cleaning/painting of the kitchen cabinets.

Margaret Crooks told us of the need for additional volunteers needed for our Comfort Committee – if anyone is interested please let Pastor Carl know and look for additional information regarding this in the near future.

Dates to Remember:

Next Meeting: Brown bag luncheon (this means back to your school days, pack you lunch and come) on Saturday, April 9 at 11:30 AM. You may also bring, if you would like, bungalow items such as furniture, small appliances, sheets, blankets, cleaning supplies etc. to donate to St. John's Shelter, to help provide the less fortunate, in setting up a household.

Mother's Day Luncheon – May 7 – ask family members and friends to join us on what is always such a special time of celebration! Look for a sign up sheet in the Narthex and further information in the future.

Bunco will be back – Saturday, June 11. If you **have never been to BUNCO you don't know what you are missing!**

Once again, we encourage all the ladies who attend **St. Luke's to come and join us, any time** - we would appreciate your support and participation as we celebrate the many blessings we have through out the year.

Thank you,

Linda Duffek



President



If you were able to attend our Congregational Luncheon at the Golden Corral on Saturday, February 26 you know what a wonderful time it was – great food and such a fun time of fellowship – we thank Thelma Williams for so capably coordinating this event.

We thank, once again, all those that have helped in making the Soup Suppers such a very important part of our Lenten journey. Wonderful soups, desserts and bread have been provided as we look forward to our time of sharing before the Lenten Service, each Wednesday night, through April 13.

Carol Carney and Ron Webb will co-chair the Easter Breakfast to be served from 8:30 to 10:00 am in Schultz Hall. As, in the past, everyone who attends, either service, is invited to join us for this time of celebration – the cost is covered by a free will donation. Look for further information in your bulletin. Please consider helping with this event - sign-up sheet will be available in the Narthex for volunteers that are needed to set up on Saturday, assist in the kitchen, and clean up.

Carol Carney

Board Chair



Worship and Music Board

As in the past, the Board of Worship and Music is asking for your help to beautify our worship for Holy Week. We need palms, cut flowers, Easter Lilies, greenery, and lots of help!

We will be decorating for Palm Sunday on Saturday, April 16th, at 10am. If you have palms, please bring them to the church by that time. We can use both fan palms and the large fronds. You are welcome to stay a bit and help decorate the sanctuary. We can especially use the help of a few gentlemen as the large branches can be pretty heavy. We will also be cleaning the altar area and polishing the brass and silver.

Maundy Thursday we need several people to help with the stripping of the altar at the end of the service. A sign-up sheet will be available.

Decorating for Easter morning will begin at 10am, Saturday, April 23rd. Please bring your greenery for the Living Cross and potted Easter Lilies at that time. Cut flowers can be delivered to the church anytime Saturday. On Easter morning, a few hardy early-risers are needed to arrange the flowers on the Living Cross at 6am, Sunday April 24th. You may also bring cut flowers to worship with you on Easter morning and place them on the cross yourself.



Congratulations to Caragh Anne Sullivan who was baptized on Monday, March 7th. Caragh was born on April 28th, 2010 in Sacramento, CA to Matthew and Sarah Sullivan. Proud sponsors are David and Judy Saxby and Steve Saxby.



Our thoughts and prayers go out to the family and friends of Eric Joseph Felgenhauer at his passing.



JAPAN
Needs Your
HELP!

On Friday, March 11, an 8.9-magnitude earthquake caused severe damage and led to a tsunami that overwhelmed cities and farmland in Japan. ELCA Disaster Response is monitoring the situation and preparing **this church's response, both**

internationally and domestically as needed.

All 22 ELCA missionaries in Japan have reported that they and their families are safe and well.

The ELCA and its predecessor church bodies have a long history in Japan, dating back to 1892. The Japan Evangelical Lutheran Church has a rich tradition of education and service to those who are in need, and we will continue to walk alongside our companions in ministry as they respond to the disaster. Please continue to pray for those affected by this disaster.

Contributions can be made at church and will be forwarded to the ELCA International Disaster Response for the Pacific Earthquake and Tsunami Response. Your gifts will be used to assist those whose lives and livelihoods have been affected by this disaster in Japan and other affected islands. **Please write "Japan" on your check's memo line.**

In remembrance of Passover W-ELCA will be hosting a Lamb Dinner at 6pm on Maundy Thursday, April 21, 2011. Tickets will be available for purchase.



Coming Soon—"Stain Glass Windows"

Per congregation approval we are in the process of gathering ideas and visions to transform 17 windows into 7 stain glass windows on the west side of the sanctuary. We believe this will be a beautiful and lasting tribute to the Blumhardts and also beautify the church.

We invite those who would like to share their ideas on design to meet and relay their thoughts with this project group.

Please call Bernie Johansen at 421-4813.



"That's STAINED glass, Agnes; those stains are supposed to be in there...."



Pastoral Acts

Baptisms: Mayah Torres (2/27)
 Caragh Sullivan (3/7)
Funeral: Eric Felgenhauer (3/12)

The Council approved the Finance Committee's request to close the Dreyfus Fund account and transfer the proceeds temporarily to the St. Luke's money market account at Farmers and Merchant's Bank. Other investment options that provide better for higher interest and access to the funds will be considered.

The Property Board requested and received approval to pay \$950.00 to Comstock Johnson Architects for developing construction documents **suitable to obtain the city's building permits for the ADA bathroom funded with the Blumhardt Memorial money.**

Council voted to have the Property Board work with SMUD to obtain additional yard lights to be placed on the utility poles along the north property line. In addition, there will be a light placed on the east end of the Education wing.

Proceeds from the Crab Feed will be used for security fences around the AC units. The Property Board stated that wrought iron fences would be used for the three back AC units and they are working on an alternative fencing solution for sanctuary unit.

The Education Committee is still in need of a board chairperson. The Education Board announced that they will not be sponsoring the Passover Supper as they have done in the prior years. Several members of the church council are going to investigate the possibility of having a Lamb Dinner in its place.

The Youth Board is sponsoring the Easter Egg Hunt between church services on Easter Sunday. A collection basket will be available for wrapped Easter candy donations to fill the plastic Easter eggs.

The Evangelism Board reported that on Palm Sunday and Easter Sunday cards will be passed out to

the visitors in lieu of the gift of bean soup jars.

The Council approved the Community Concerns **request for a \$100.00 donation to St. John's Shelter** and a \$200.00 donation to Parkway Elementary for their summer programs. The donations are from the Community Concerns Special Funds.

Worship and Music Committee has recommended that the choir anthem be sung prior to the prayers rather than between the lessons.

Holly Hoppman will be filling in as the Church Council Representative for Worship and Music in place of Peggy Moser due to work commitments.

The Church Council is continuing to work on procedures for the implementation of expenditures from the Blumhardt Memorial Fund.

10th **Annual St. Luke's Crab Feed**

This year's disco-themed Crab Feed was held March 5th with 244 people sitting down to eat in Schultz Hall and another 30 or so volunteers running around making sure everyone had great service, a great time, and full stomachs! What an evening it was – filled with lots of food, disco mirror balls, streamers, colors we haven't seen since the 70s, loads of laughter, great costumes, a huge assortment of raffle prizes, and best of all, fellowship with friends and family.

I can't say enough about our great volunteers who helped in so many ways - by selling tickets, setting up the hall or cleaning up, by cooking the pasta, making the salad, providing bread, snacks, drinks or antipasto, by decorating, dressing in costume, collecting or donating raffle prizes, selling sodas and Gunther's Ice Cream, our enthusiastic youth, their parents, the Youth Band and Pastor Carl who served as waiters and waitresses, and the many individuals and businesses in our community who provided the raffle prizes for the evening. Thanks to all!

We had a very successful Crab Feed this year. With most income and expenses taken into account now, we were able to raise \$5,375 which will go directly to our property board so they can safely secure our new heating and air conditioning units this year. It was fun and hope to see you next year!

In Christ,

Deanna Dockter, Crab Feed Chairperson

APRIL BIRTHDAYS

Richard Almeida, Jr	3-Apr
Andy Anderson	3-Apr
Adeline Weston	4-Apr
Chris Wilke	4-Apr
Larry Dockter	6-Apr
Don Englund	9-Apr
Clarence Korhonen	12-Apr
Janie Muhlig	14-Apr
Erwin Kiser	16-Apr
Marilyn Sodergren	16-Apr
Charles Yakabe	16-Apr
Heidi Harrison	17-Apr
Megan Shower	17-Apr
Reuben Jones	19-Apr
Margaret Crooks	20-Apr
Brooke Smith	21-Apr
Connie Reule	24-Apr
Rylee Shower	25-Apr
Rachel Kiser	30-Apr



April Flowers

April 3	The Reule Family—In cherished memories of our Betty Jo Ken and Debi Lentsch—Celebrating Michele's Birthday Hazen Simkins—In memory of wife, Elaine Erwin Kiser—In remembrance of Carolyn's birthday
April 10	Shirley Prouty—Celebrate Birthday of Grandson Andy Herscowitz
April 17	Don and Betty Englund—In memory of Amelia Gunst
April 24	The Connell Family—For Rachel's birthday



February 2011

OFFERINGS (General Fund Only):

	This Month	Year to Date
Total Offering	\$14,015	\$28,476
Compared to Budget	-\$603	-\$323
	-4.1%	-1.2%
Compared to 2010	\$449	\$368
	3.3%	1.3%
Projected Year-End Balance (Compared to budget)		\$6,344
Contributors:		
2011 (Current Year)	90	91Aver.
2010 (Last Year)	100	95Aver.

Note: Positive values (no +/- sign) means above; negative values means below.

Other Special Gifts:

- a) Flowers - \$76
- b) Sunday School - \$15

David Saxby
Financial Secretary

Walt and I would like to express our sincere thanks for the prayers, cards, phone calls and caring of our St. Luke's family. We especially want to thank Pat and Ron Webb for the delicious chicken soup; also Vivian Blazic and Ofelia Ojeda for delivering the Stone Soup from W-ELCA. We look forward to being back in action.

Walt & Pauline Arndt



- ◆ 4/17—Palm Sunday
- ◆ 4/21—Lamb Dinner 6pm
Maundy Thursday Service 7:30pm
- ◆ 4/22—Good Friday Service 7:30pm
- ◆ 4/24 — Easter Sunday
Breakfast 8:30am



Egg Hunt for Kids 10am
Join Us!



Scenes Around St. Luke's



Evangelism Outing



Golden Corral



Work Day



Crab



Feed



St. Luke's Lutheran Church

Carl Hoppman, Pastor
 Phone: (916) 421-5039
 E-mail: pr.carl@att.net

April 2011 Event Calendar

Brooke Smith
 Music Director
 E-mail: plinusader@yahoo.com

Sunday	Monday	Tuesday	Wednesday	Thursday	Friday	Saturday
St. Luke's Choir invites you to An Evening in Paradise  May 21 st , 2011			Doors open at 5pm for fellowship and activities Dinner at 6:15pm Tickets: \$15.00 Children 3 & under are free		1	2
3 8:15 AM & 10:30 AM - Holy Communion 9:15 AM Gospel of John 11:40 AM Crab Feed Wrap up Mtg. 12:00 PM Confirmation 12:45 PM SLY Bowling	4 7:00 PM Christian Education Bd 7:00 PM Finance Board	5 10:15 AM Crossways 7:00 PM Executive Committee	6 6:00 PM Lent Soup Supper 6:30 PM Service 7:00 PM Choir Rehearsal	7 7:00 PM Crossways	8 News & Views Deadline	9 10:00 AM Music/Worship Bd 11:30 AM W-ELCA - General Mtg. Bring Your Own Brown Bag
10 8:15 AM & 10:30 AM - Worship 9:15 AM Gospel of John	11 7:00 PM Evangelism Bd	12 10:15 AM Crossways 6:00 PM Property Bd	13 6:00 PM Lent Soup Supper 6:30 PM Service 7:00 PM Choir Rehearsal	14 7:00 PM Crossways	15 News & Views Deadline	16 10:00 AM Decorate and Clean Sanctuary for Palm Sunday
17 8:15 AM & 10:30 AM - Palm Sunday Holy Communion 9:15 AM Gospel of John 12:00 PM Confirmation 2:30 PM Service @ The Commons	18	19 7:00 PM Council Meeting	20	21 6:00 PM Lamb Dinner 7:30 PM Maundy Thursday Service 	22 7:30 PM Good Friday Service 	23 10:00 AM Bring Flowers for Easter
24 8:15 AM & 10:30 AM - Holy Communion 8:30 AM - 10:00 AM Easter Breakfast 10:00 AM Easter Egg Hunt 	25 7:00 PM Community Concerns Bd 7:00 PM Youth Bd	26 10:15 AM Crossways	27	28 7:00 PM Crossways	29	30

Worship Assistants

ACOLYTES

April 3 Daniel Encinas, Joshua Bell
 April 10 Katy Etchison, Katie Light
 April 17 Selena Connell, Elise Mihanovich
 April 24 Wesley Lester

ALTAR CARE

8:15 AM Cheryl Franklin
 10:30 AM Katie Iniguez

COMMUNION SERVERS

April 3, 17, 24 Karen Linfor, Pauline Arndt, Linda Duffek

COUNTERS

April 3 Walter Arndt & John Johnsen
 April 10 Don Schell, Delmy Samayoa, Howard
 April 17 Nancy Minning, Connie Reule
 April 24 Holly Hoppman, Marlene Kiser

GREETERS

April 3 Allison Thomas & Jorge Escobar
 April 10 Joyce and terry Finnegen
 April 17 Clarence & Elizabeth Korhonen
 April 24 Fred & Genie Sommer

HEAD USHERS

8:15 AM Ron Franklin
 10:30 AM Larry Dockter

PRAYER LEADERS

April 3 Samantha Basquez
 April 10 Triss Hoppman
 April 17 Peggy Moser
 April 24 Ken Lentsch

PSALM READERS

April 3 Derrick Mihanovich
 April 10 Elise Mihanovich
 April 17 Micayla Shower
 April 24 Amber Mansfield

READER 8:15 AM

April 3 Christiana Wilson
 April 10 Kathryn Felgenhauer
 April 17 Sarah Madison
 April 24 Maribel Herrera

READER 10:30 AM

April 3 Ralph Zbrog
 April 10 Tracy Light
 April 17 Alison Thomas
 April 24 Tracy Etchison

If you are unable to read on your assigned date, please notify Nick Manlapig at 383-9376.

REFRESHMENTS

April 3 Dorothy Haney, Bob Allen
 April 10 OPEN
 April 17 The Dockters
 April 24 EASTER BREAKFAST

VISITOR GREETERS

April 3 Thelma Williams
 April 10 Pat Webb
 April 17 OPEN
 April 24 OPEN

WELCOME LEADERS

April 3 Chet Madison
 April 10 Peggy Moser
 April 17 PALM SUNDAY PROCESSION
 April 24 EASTER CELEBRATION

Lent & Holy Week Worship Assistants

READERS

Wednesday, April 6 Ken Light
 Wednesday, April 13 Al Moser
 Thursday, April 21 Bob Behr

PRAYER LEADERS

Wednesday, April 6 Katie Iniguez
 Wednesday, April 13 Tracy Etchison
 Thursday, April 21 Karen Behr

Worship Assistants

If you are ill, coughing or otherwise unable to serve or perform your task on your assigned date, please contact the church office @ 421-5039 or Peggy Moser @ 606-7880.

¹⁰ *Also, please remember to use the Hand Sanitizer available at the Lectern, before serving Communion.*

Kids Fun Page

HOT CROSS BUNS

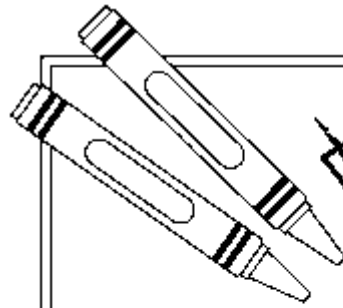
Make this traditional Easter recipe to remember how Christ gave his life for you.

What you need:

- 1 can (12 oz.) evaporated milk
- 1 stick (½ cup) butter, melted
- ½ cup sugar
- Pinch of salt
- 1½ Tablespoons yeast
- 1 egg, beaten
- ½ teaspoon cinnamon
- ½ teaspoon nutmeg
- 5 cups flour
- Icing
- An adult to help

What you do:

1. In large bowl, combine the first eight ingredients.
2. Stir in flour, one cup at a time, to form soft dough. Knead on a floured surface until smooth and elastic (about five minutes).
3. Place in a greased bowl, turning once to grease top. Cover and let rise until doubled (about one hour).
4. Knead out air bubbles. Form six two-inch balls.
5. Place two inches apart on a greased cookie sheet. Cover and let rise until doubled (about 30 minutes).
6. Bake at 375 degrees until golden (13 to 15 minutes). Cool on wire racks.
7. Add icing in a cross shape. Enjoy!



PUZZLE

FIX YOUR EYES ON JESUS

Remembering Jesus' life, death and resurrection helps us live with gratitude every day.

Use the picture and number code to fill in the blanks for Hebrews 12:2-3, NIV.



- | | |
|---------------|------------|
| 1. Jesus | 5. cross |
| 2. weary | 6. endured |
| 3. endured | 7. scorned |
| 4. opposition | 8. shame |



- | | |
|------------|--------------|
| 1. Jesus | 5. perfecter |
| 2. lose | 6. him |
| 3. pioneer | 7. faith |
| 4. sinners | 8. hand |



- | | |
|----------|-----------|
| 1. eyes | 5. right |
| 2. us | 6. grow |
| 3. joy | 7. God |
| 4. heart | 8. throne |

"... fixing our _____ on _____, the _____ and
 _____ of _____. For the _____ set before _____
 he _____ the _____, _____ its _____, and
 sat down at the _____ of the _____ of _____
 Consider _____ who _____ such _____
 from _____, so that you will not _____
 and _____." HEBREWS 12:2-3, NIV

Answer: "...fixing our eyes on Jesus, the pioneer and perfecter of faith. For the joy set before him he endured the cross, scorning its shame, and sat down at the right hand of the throne of God. Consider him who endured such opposition from sinners, so that you will not grow weary and lose heart." Hebrews 12:2-3, NIV



St. Luke's Lutheran Church
7595 Center Parkway
Sacramento, CA 95823

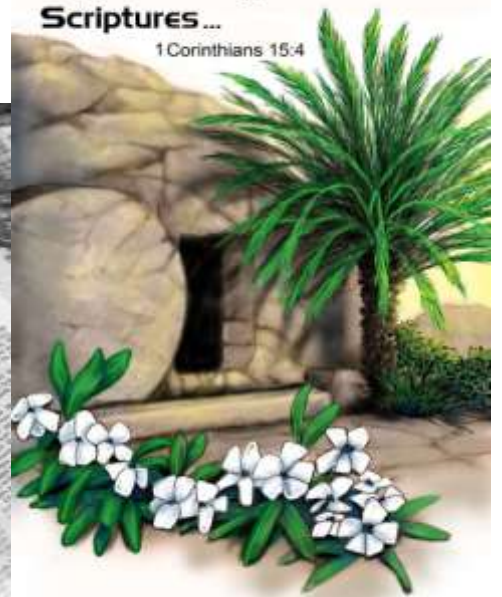
Non-Profit Org.
U.S. Postage Paid
Permit No. 739
Sacramento, CA

Return Service Requested



He was raised on the third day according to the Scriptures...

1 Corinthians 15:4



“Surely he hath borne our grief and carried our sorrows.”

Isaiah 53:4